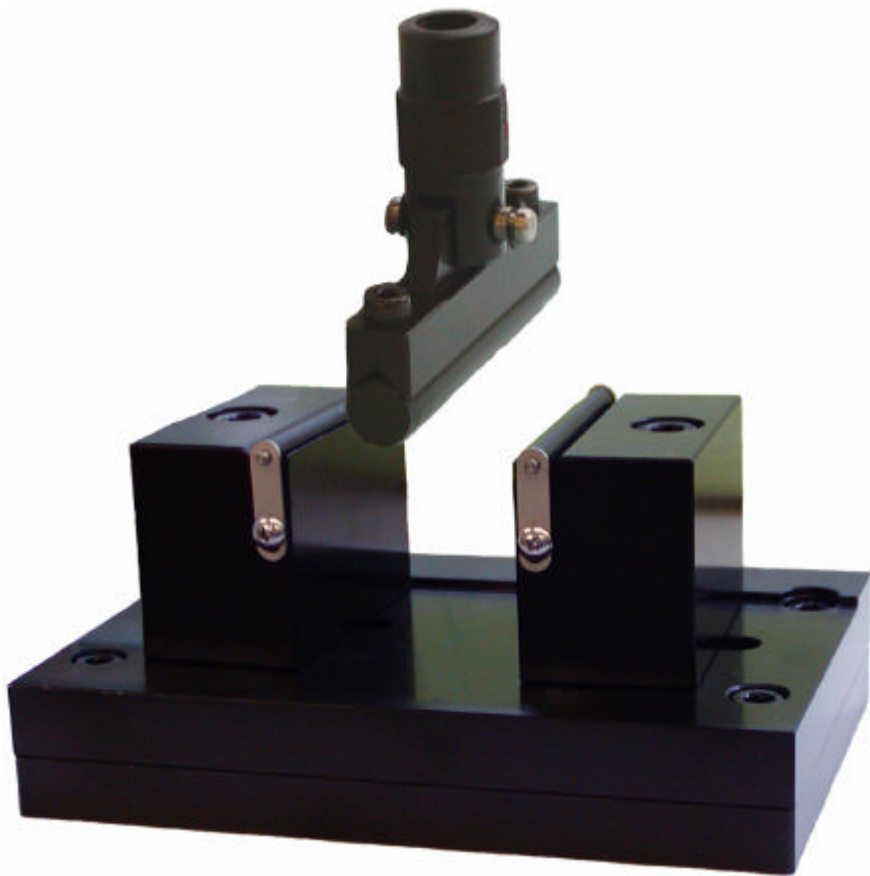


Bend Test Stand / GA-10N, 5000N

For bend, compression test



[Applications]

The bend test stand is installed on the Imada's force gauge for compression test of various test pieces.

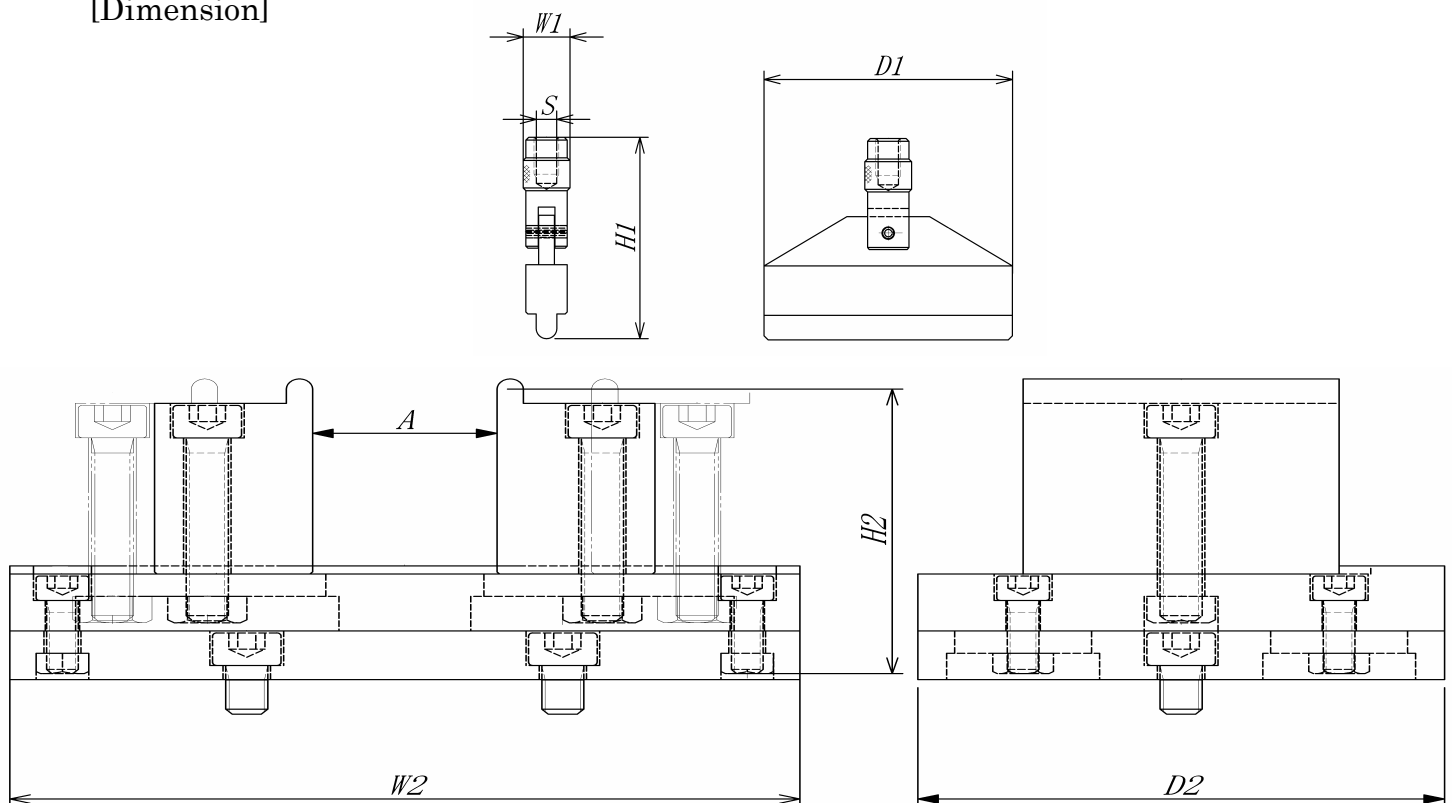
[Feature]

They are suitable for checking for bend, compression test.

[Specifications]

	GA-10N	GA-5000N
Model	Normal	High Capacity
Capacity	500N	5000N
Mounting Screws[S]	M6P1	M10P1.5
Weight (Upper)	100 g	120 g
Weight (Bottom)	4100 g	4200 g
Dimension (W1×H1×D1)	11.5×49×60mm	16.5×50×60mm
(W2×H2×D2)	150×74×100mm	150×69×100mm
Opening width [A]	5~60 mm	5~70mm
With Force Gauge	PS/FB/DPS/DPX/DPZ 20N~500N	PSH/DPSH/DPZH 20N~2000N

[Dimension]



[Note]

- Particular materials and shape can not be used.
- Combining with Imada's test stand, more stable measuring becomes possible.
- All information is subject to change without prior notice.