

Option Attachment

CP-150N

Pin grip



[Applications]

- Tensile measurement for material of fine diameter.
- Suitable for penetrating test gripping a cylindrical material with appropriate diameter.

[Features]

- Compatible with IMADA brand force gauges.
- Grips material with a diameter of up to 3.2mm. selecting 4 ranges of socket mouse piece (collets)
- Since of its light weight, you can use range of the gauge efficiently.
- You can save space upon its short length

[Model]

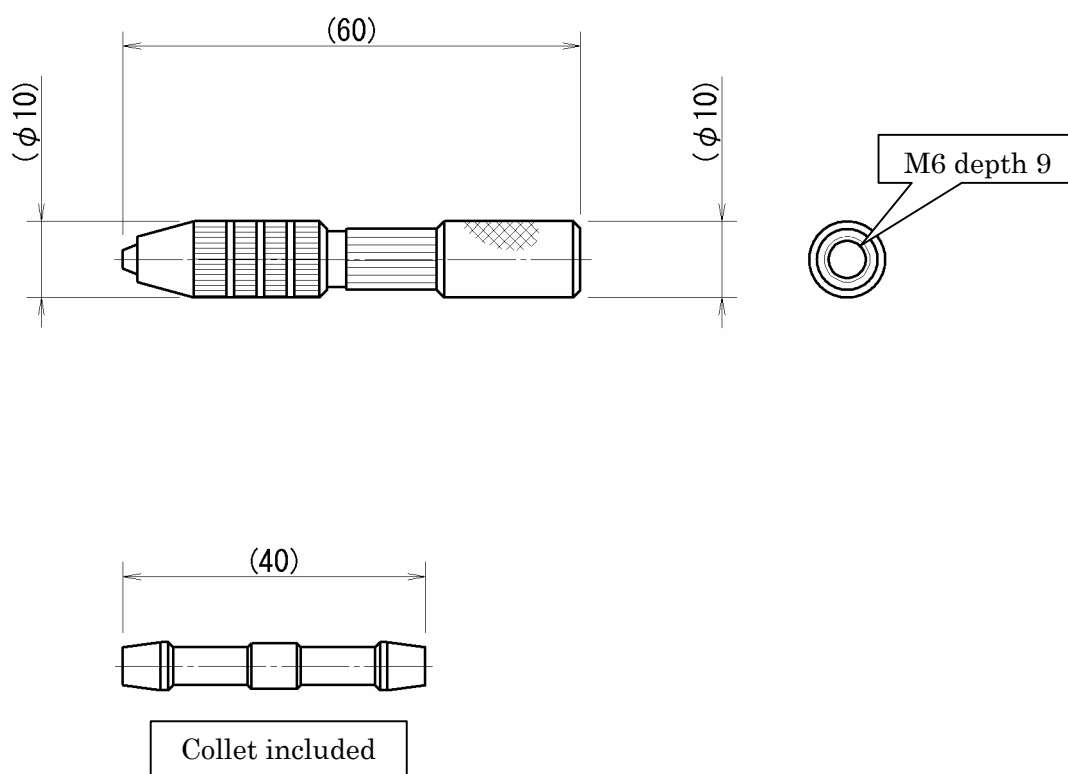
Model	Capacity
CP-150N	Tension/Compression 150 N

[Specifications]

Capacity	Tension/Compression 150 N
Sample diameter	0 to 3.2 mm dia.
Dimensions	See dimensions
Weight	Approx. 22 grams including a collet chuck
Accessories	Two collets 0 to 1.7 / 2.3 to 2.7 mm dia. 1.7 to 2.3 / 2.7 to 3.2 dia.
Force gauge	IMADA brand mechanical / digital gauges.

We offer you some customize unit under your wish. Please contact for details.

[Dimensions]



[Notes]

Force gauge (sold separately) is required for actual measuring. Please order Imada products. All information is subject to change without prior notice.