
Peeling Attachments/GT-10,20

Optimal attachment to measure
the peeling force of IC chips



[Application]

The peeling attachment is installed on the Imada's force gauge for peeling or shearing test of electronic components.

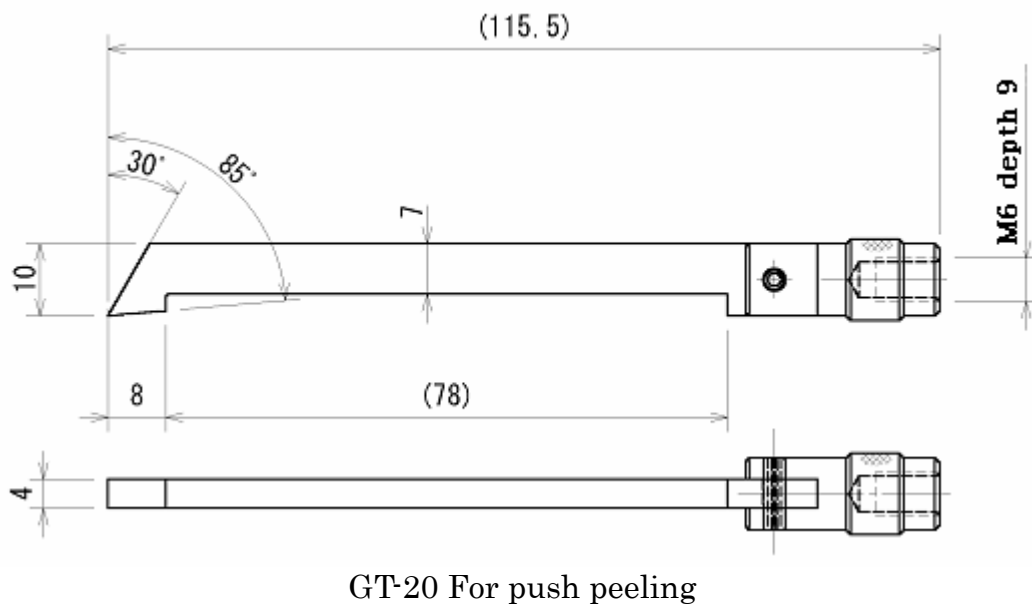
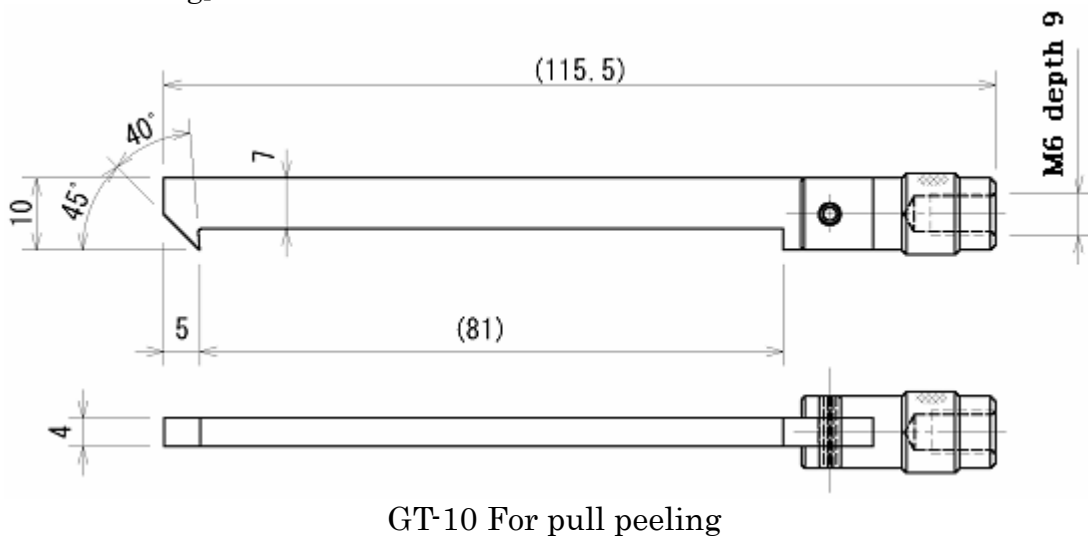
[Feature]

The attachments are useful to measure minute force because of their light weight. They are suitable for measuring force in the small areas.

[Specifications]

	GT-10	GT-20
Model	[Pull] peeling	[Push] peeling
Capacity	500N	
Mounting screw	M6 P1	
Dimension	W(115)× diameter (11.3) mm	
Weight	34 g	
The recommended force gauge	PS/FB/DPS/DPX/DPZ series 4.9N to 500N	

[Dimensional drawing]



[Precautions]

- Combining with Imada's test stand, more stable measuring becomes possible.
- All information is subject to change without prior notice.