

Fixture for Compression Testing PR-500N/PR-2500N

Suitable for Compression Testing on heat-sealed packaging
For Pressure / Burst and Crush resistance tests up to 2500N
Complies with the corresponding part of JIS standard



PR-500N



PR-2500N



Testing Image

**Related
Standard**

JIS Z0238:1998 Testing methods for heat-sealed flexible packages (Corresponding part only)

Preparations for testing		
Fix fixture to the Force Gauge	Set the testing sample	Press the button to start testing

Specification		
Model	PR-500N	PR-2500N
Maximum Capacity	500N	2500N
Maximum sample size	W194xD120xH156mm	W200xD140xH105mm
Dimension	See [Dimensions]	
Upper weight*1	Approx.0.9kg	Approx.3.1kg
Lower weight	Approx.1kg	Approx.3.2kg
Mounting Screw	M6	M10

* Protect the measuring devices from package content splashing and dripping, which could lead to breakage.

*1 Upper weight must be included to the force gauge load when selecting the force capacity.

PR-500N Example: Product Configuration	
Example1	Code:1P2008A
-Measurement up to 500N, Complies with the corresponding part of JIS Z 0238:1998 [Testing methods for heat-sealed flexible packages] *1 Digital Force Gauge: ZTS-500N Motorized Test Stand: MX2-500N Attachment: PR-500N Cable: CB-518	
PR-2500N Example: Product Configuration	
Example1	Code:1P2009A
-Measurement up to 2500N, Complies with the corresponding part of JIS Z 0238:1998 [Testing methods for heat-sealed flexible packages] Digital Force Gauge: ZTS-2500N Motorized Test Stand: MX2-2500N Attachment: PR-2500N Cable: CB-518	



Image: Example1 PR-500N

* Please refer to the specification of each device for further details.

* Product configuration varies depending on the shape and characteristics of the samples and measurement conditions

* The recommended force gauge differs depending on the measured value.

* Using option cable, Durability test is available with predetermined force and time

*1 Sample must not exceed 400g in total mass for meeting JIS standard test requirement.

Additional Options available or Optional Accessories and Custom made Jigs		
<p>Made to Order Jig for your needs</p> <p>PR-500N-____/PR-2500N-____ (*1 Specify dimensions for your order) • Width change :-W____ • Height change:-H____ • Depth change :-D____</p>	<p>Protection Tray for liquid dripping</p>	<p>Additional Safty precaution</p>
<p>Made to order service is available to meet your measuring requirements *1</p>	<p>Protects measuring device from sample contents leaking and dripping.</p>	<p>When the case is opened, measuring operation stops automatically with correspondent safety regulations requirements.</p>

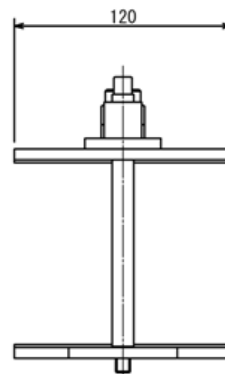
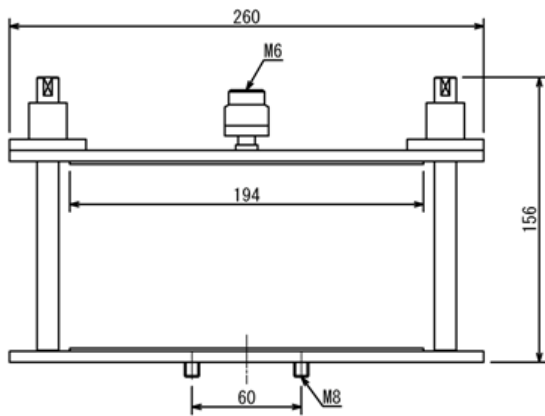
*1 Please contact your local authorized distributor or us for the conditions and details of the Custom-made orders.

Related additional Accessories		
<p>For high capacity compression test PC series (Discs)</p>	<p>For high capacity compression test SQ series (Rectangles)</p>	<p>For high capacity compression test SP series (Sphere)</p>
<p>For tests Max 5000N Compression/breaking tests. Ables solid contacts to the sample with a free joint design.</p>	<p>For tests Max 5000N Compression/breaking tests. Ables solid contacts to the sample with a free joint design.</p>	<p>For tests Max 5000N. Compression / breaking tests.</p>
<p>Compression Test Fixture A-40/60, S-40/60</p>	<p>Hemisphere Fixture for Max 50N UR-8S/8M</p>	<p>For small spot compression PG-2/3/4/5</p>
<p>For crash resistant tests</p>	<p>For finger pressed image tests</p>	<p>For small area compression – Push Puncture / Burst tests for penetration</p>
<p>Type A: Aluminum Type B: Steel</p>	<p>Polyurethane Fixture</p>	

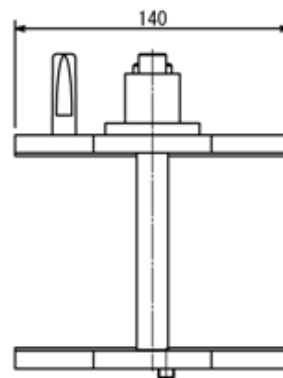
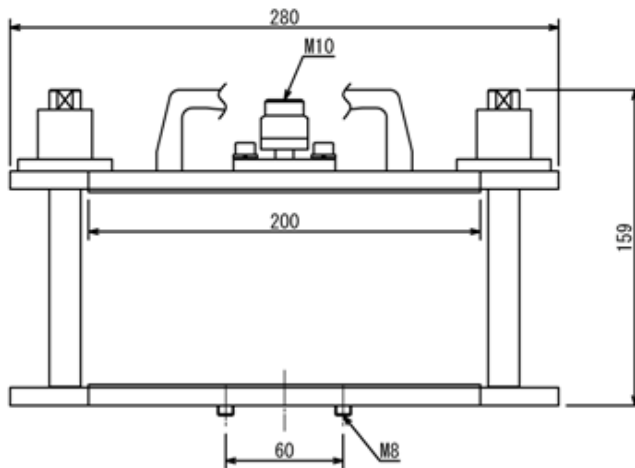
* Please refer to the specifications of individual products for detail.

[Dimensions]

PR-500N



PR-2500N



[Caution]

- The contents may be changed without prior notice.
- All of products are designed for measurement purpose only.
- Force gauges and test stands are not included but necessary to carry out tests.
- Some sample cannot be measured depending on their materials or shapes.
- Do not copy and use this content without authority.